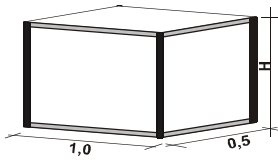


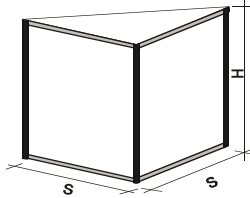
## ELEMENTS OF STAND EQUIPMENT

**SHOW COUNTER**



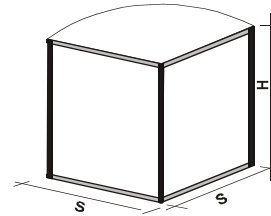
H (m)	S (m)
1,0	1,0
0,7	1,0
0,3	1,0
1,0	0,5
0,7	0,5
0,3	0,5

**CORNER, TRIANGULAR**



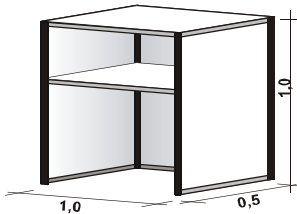
H (m)	S (m)
1,0	1,0
1,0	0,5

**CORNER, ROUNDED**

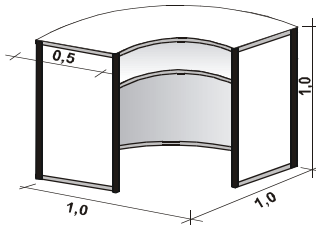


H (m)	S (m)
1,0	1,0
1,0	0,5

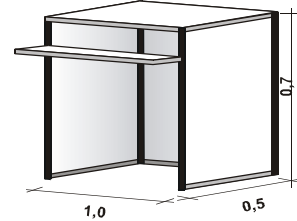
**INFORMATION COUNTER**



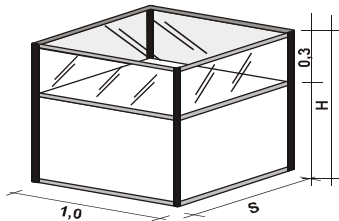
**INFORMATION COUNTER, ROUNDED**



**COMPUTER DESK**

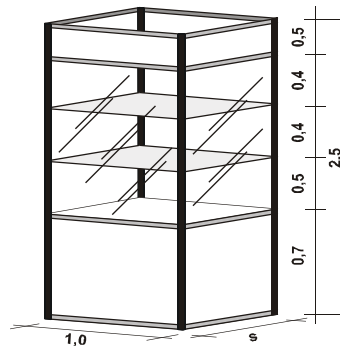


**COUNTER WITH GLASS TOP**



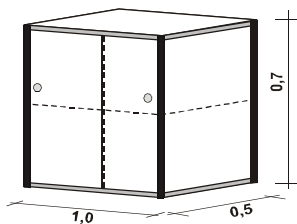
H (m)	S (m)
1,0	1,0
0,7	1,0
1,0	0,5
0,7	0,5

**GLASS COUNTER**

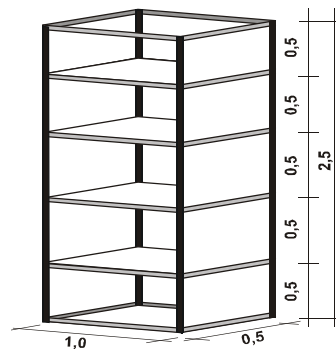


H (m)	S (m)
2,5	1,0
2,5	0,5

**CLOSET**



**STORAGE SHELVES**



**REMARK:** Elements other than listed above - option.